

Kblue srl  
via Prà Bordonì, 12  
36010 Zanè (VI) - ITALY

+39 0445 315055  
info@kblue.it  
www.kblue.it



**K**lever  
*by Kblue*



# Product Data-sheet

WIFI SMART KULT PROGRAMMABLE THERMOSTAT  
**ETH-WI-THTERM-RR/RA**

V. 02\_01.02.19

## 1. Description

**ETH-WI-THTERM-RR/RA** is a slave module of the range of graphic terminals allowing the control of a thermal area. Integrated temperature, relative humidity and dew point sensor.

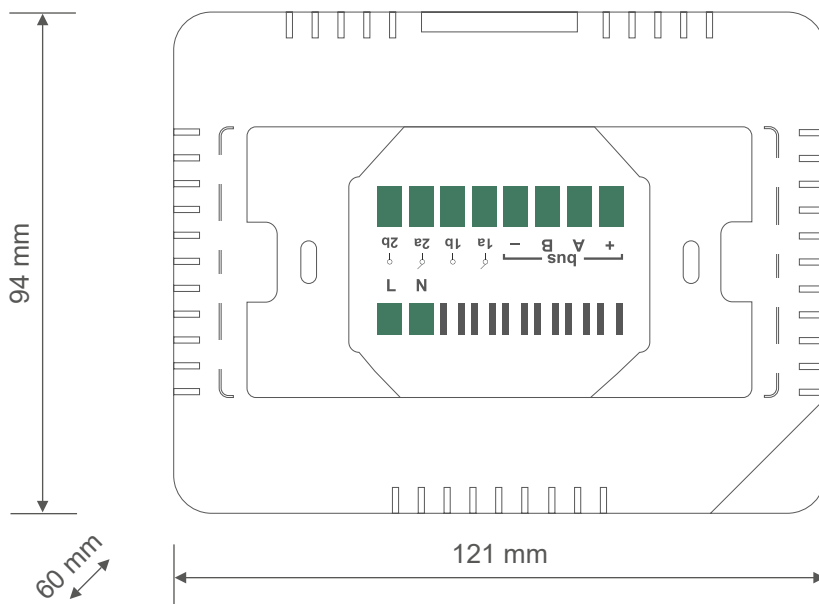
It is available in white (W) or black (B).

2 versions:

RR: 2 out with bistable relays

RA: 1 out with bistable relay + 1 analogue out

## 2. Dimensions



## 3. Technical specifications

- Voltage: 12V $\pm$ 15%, 100 $\div$ 290VAC  $\sim$  / 47 $\div$ 63Hz
- Typical absorption: 65 mA max 120mA
- Horizontal wall installation or installation on 3 modules wall box
- Operating temperature: from +5 to +50°C
- Temperature sensor: 5-50°C |  $\pm$ 0,5°C
- Relative humidity sensor: 20-80% |  $\pm$ 5%
- Protection class: IP10
- 2,8" colours TFT display
- Configurable outputs:
  - 2 bistable relay outputs. 5A max with resistive load, 2A max with inductive load
  - 1 Analog: Switchable voltage 0-10V. Rated current 50mA max
- WiFi 802.11
- Dimensions: 94x60x121 mm (HxDxL)
- Weight: 187 g.

Wireless device in compliance with 802.11 b/g/n standard, 2.4-2.4835 GHz frequency. <20 dBm electric power transmission. WiFi Protected Access (WPA) and WiFi Protected Access II (WPA2) security protocols.

## 4. Warnings

- The installation and maintenance must be performed only by qualified personnel.
- Before every maintenance operation and before accessing the internal parts of the unit, cut the power supply.

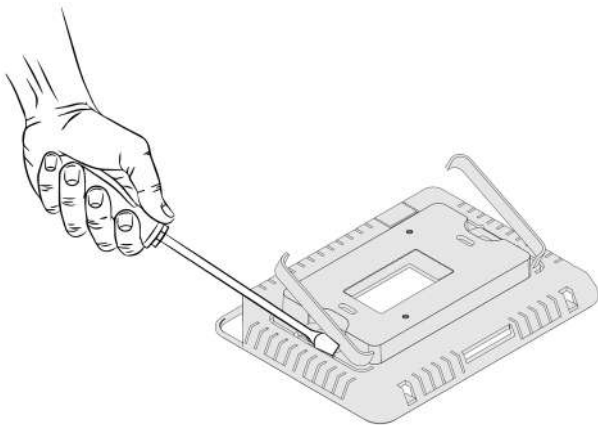
## 5. Installation

The appliance must be installed on a wall at a height of 1.5 m from the ground, in a position suitable for correct detection of the ambient temperature.

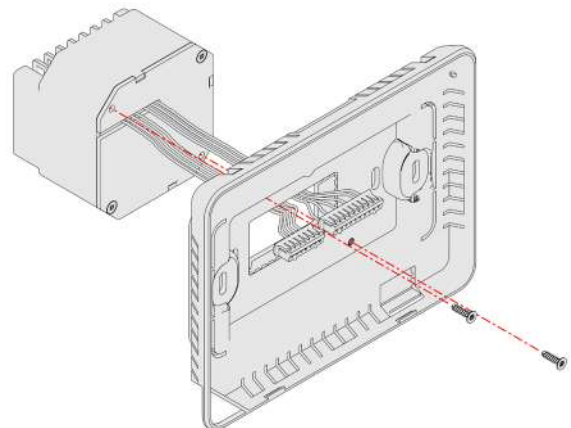
It can be installed directly on the wall or on 2 and 3 module wall boxes.

It should be used in dry and non-dusty environments at a temperature between 5° C and 50° C.

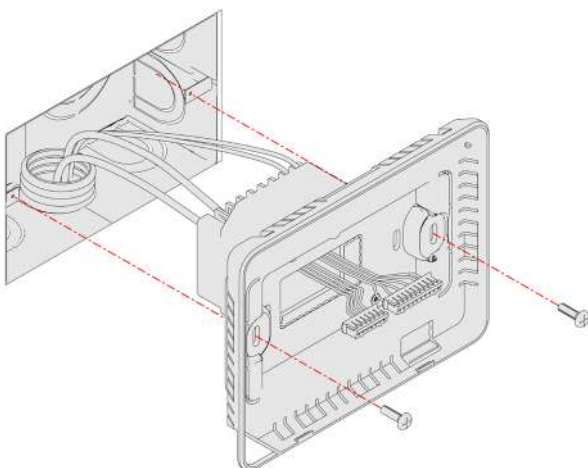
## 6. Mounting instructions



**1a.** To install the device on a 3 module wall box, break the two side flaps.



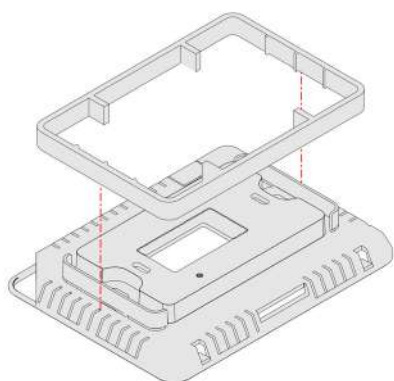
**2a.** Mount the add-on module on the back of the thermostat with the connectors facing up and secure it with the two screws.



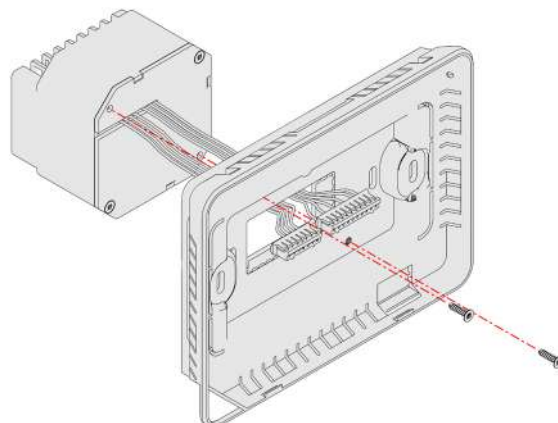
**3a.** Mount the device on a 3 module wall box after carrying out the corresponding connections (see connections chapter).

# ETH-WI-THTERM-RR/RA

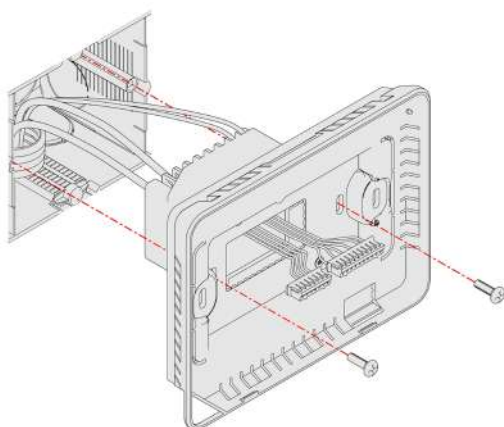
Product data-sheet



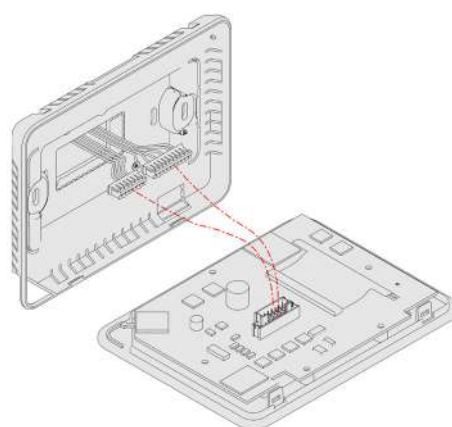
**1b/1c.** To install the device on a 2 module wall box, add the frame (not supplied).



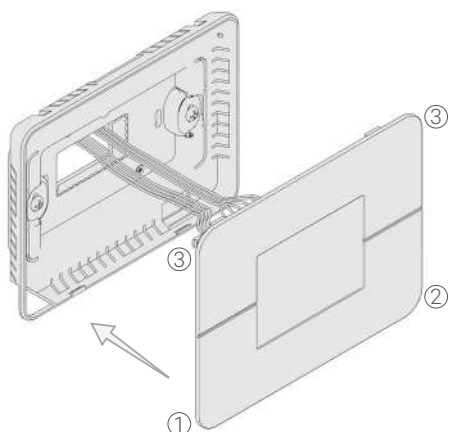
**2b.** Mount the add-on module on the back of the programmable thermostat with the connectors facing up and secure it with the 2 screws.



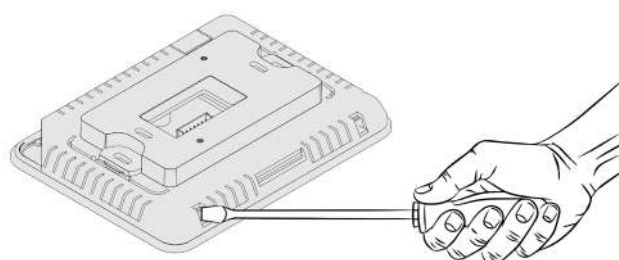
**3b.** Mount the device on a 2-module wall box after carrying out the corresponding connections (see connections chapter).



**4.** Connect the add-on module connectors to the display in the order shown.

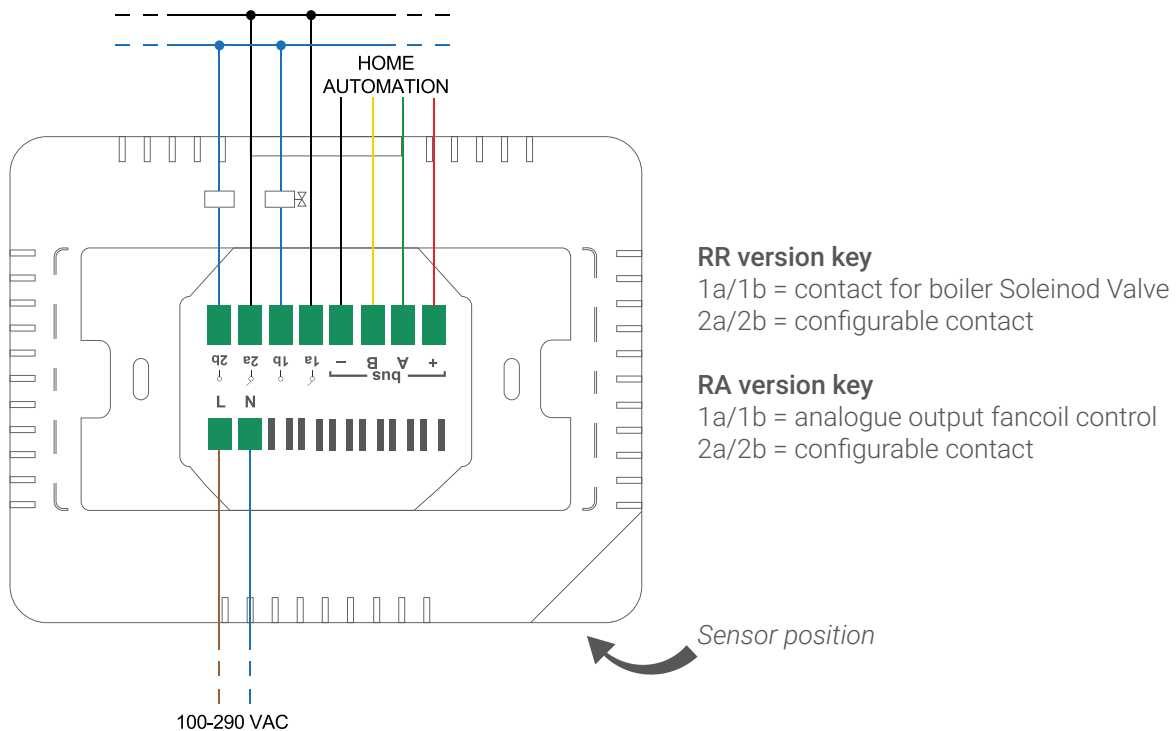


**5.** Install the display on the back of the device in the order of corners shown.



**6.** If necessary, use a screwdriver to open the device.

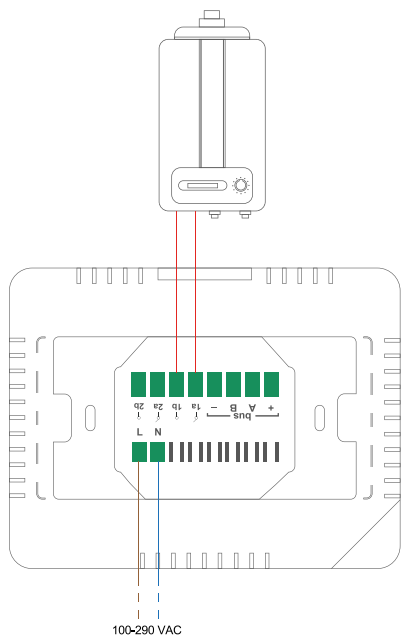
## 7. Wiring diagram



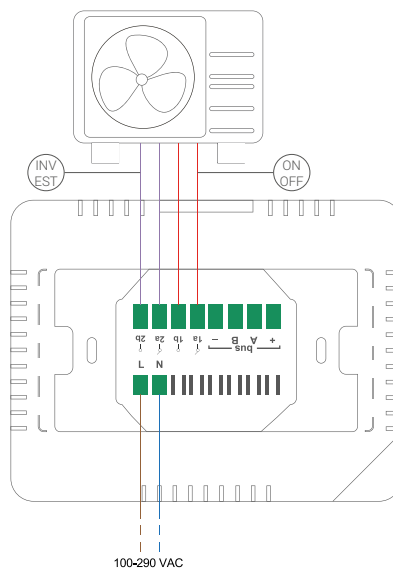
The WiFi programmable thermostat can easily replace a traditional wall-mounted thermostat thanks to an add-on module fixed on the back of the device that allows direct power supply with 230Vac mains voltage. There are also digital outputs for controlling a boiler or analogue contact for modulating an analogue fan coil. It is also possible to connect the Smart Kult programmable thermostat to a BUS cable to send home automation commands such as controlling the automation or switching off the lights. For this application, use a cable for four-wire signals (2x0.75 + 2x0.22). In ideal conditions, the maximum length of the BUS is 1 km. In case of voltage drops along the 12V $\overline{=}$  line of the BUS it is necessary to insert an additional power supply unit.

**ETH-WI-THTERM-RR/RA** is equipped with an add-on module applied in the back of the WiFi programmable thermostat, available in two versions:

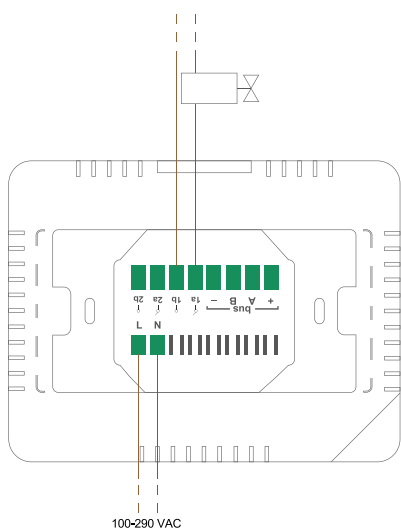
- RR - double bistable relay contact 1 boiler contact + 1 configurable (season, humidity % comparison, dew point comparison)
- RA - 1 analogue output 0-10Vdc (50mA MAX) + configurable relay contact (season, humidity % comparison, dew point comparison)



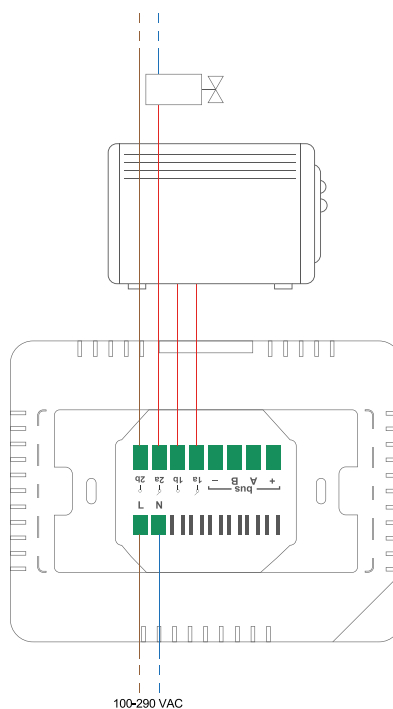
**Fig. 1** RR version  
Connection with boiler  
Heating only



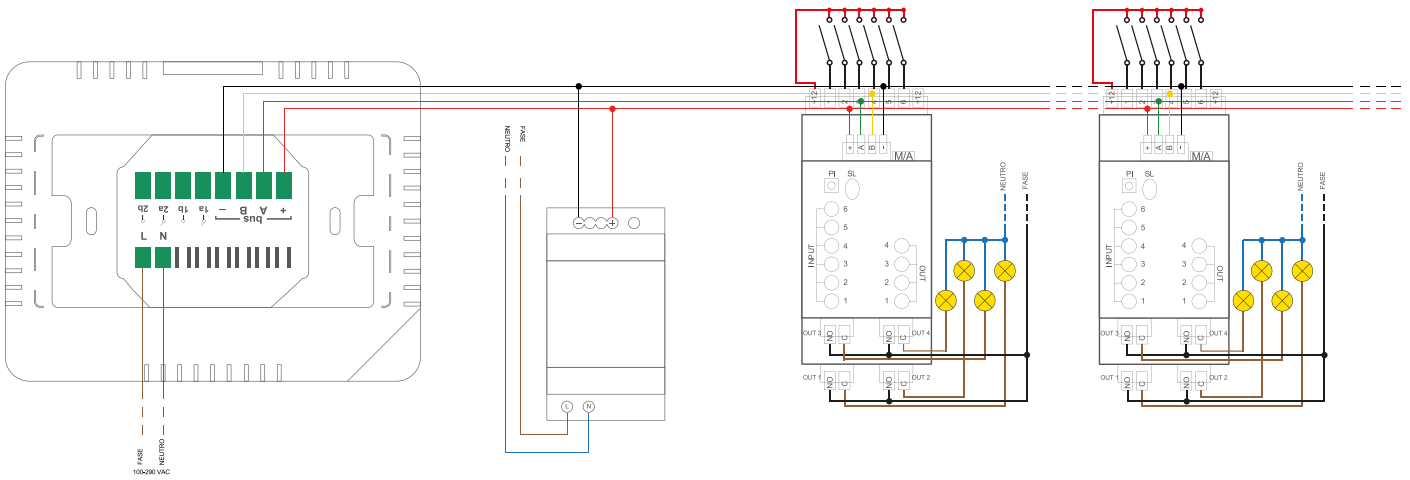
**Fig. 2** RR version  
Connection with heat pump  
Heating and cooling



**Fig. 3** RR version  
Connection with solenoid valve  
Heating only

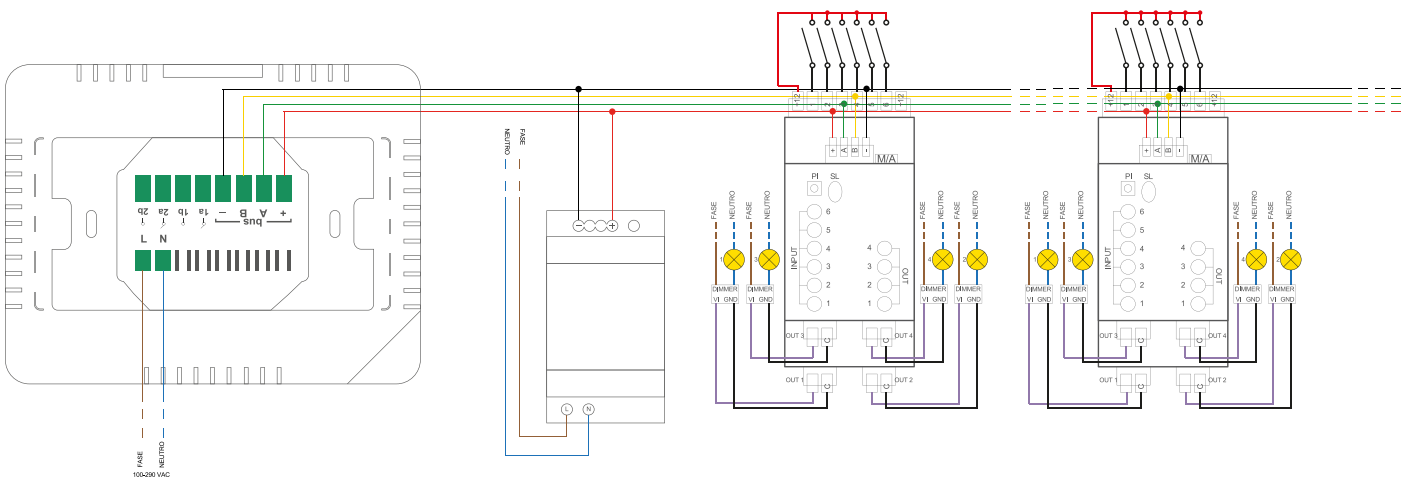


**Fig. 4** RA version  
Connection with fan coil and 2nd  
configurable contact



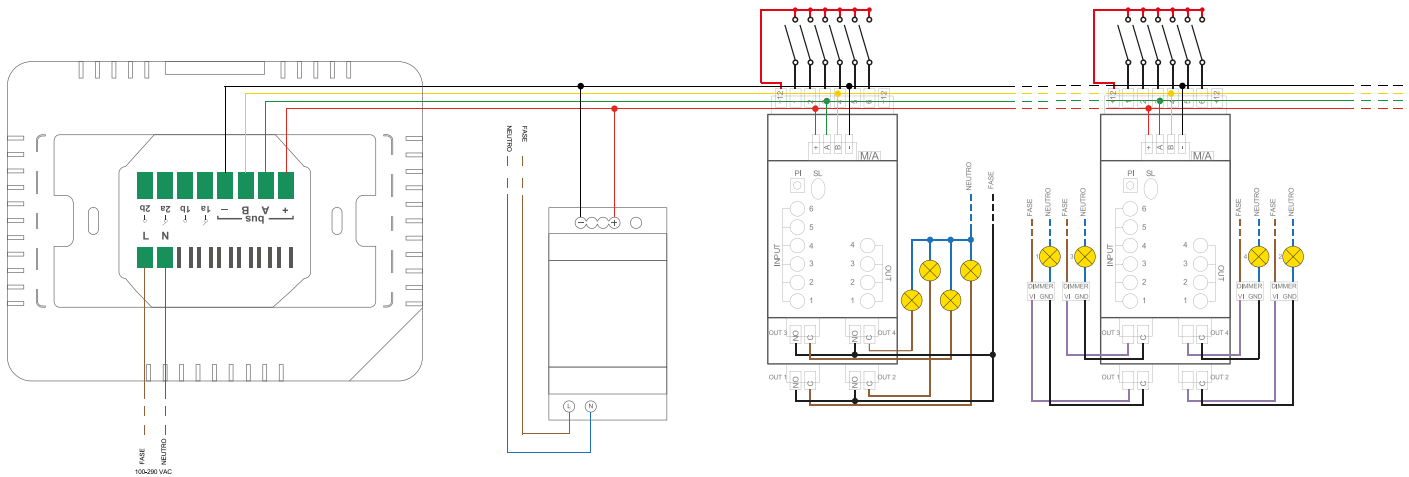
**Fig. 5** Lighting  
Connection with **ETH-S64RB** light expansion modules

*N.B. In case of connection with slave modules via BUS it is necessary to introduce 1 power supply unit (KB-POW60-3M) as shown in the figure and in this case the local power supply of the ETH-WI-THTERM-RR/RA device becomes superfluous, but not harmful, which can be removed.*



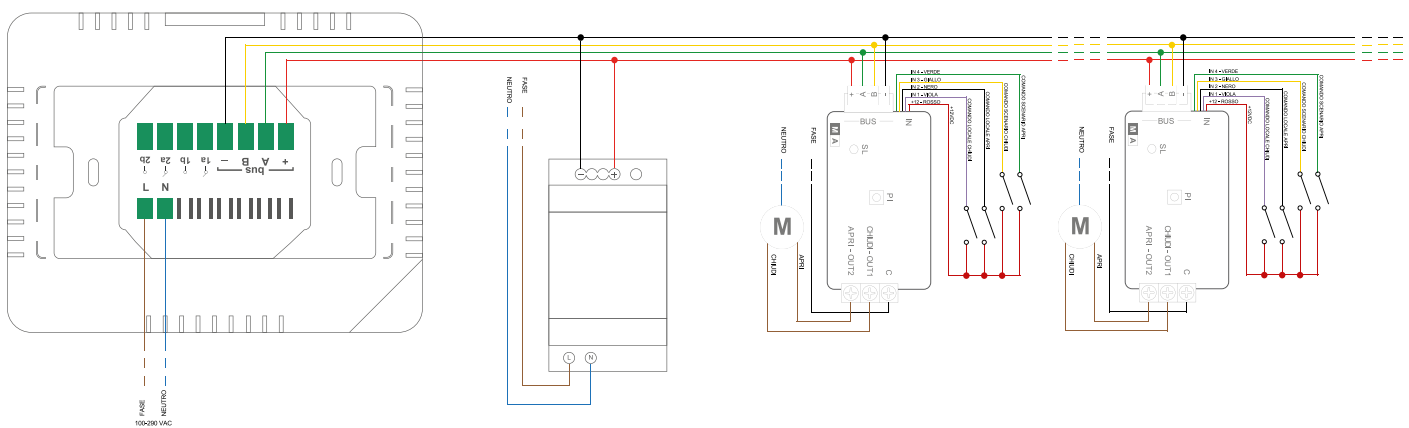
**Fig. 6** Dimmed lighting  
Connection with **ETH-S64A** light expansion modules

*N.B. In case of connection with slave modules via BUS it is necessary to introduce 1 power supply unit (KB-POW60-3M) as shown in the figure and in this case the local power supply of the ETH-WI-THTERM-RR/RA device becomes superfluous, but not harmful, which can be removed.*



**Fig. 7 Mixed lighting**  
Connection with **ETH-S64RB** and **ETH-S64A** light expansion modules

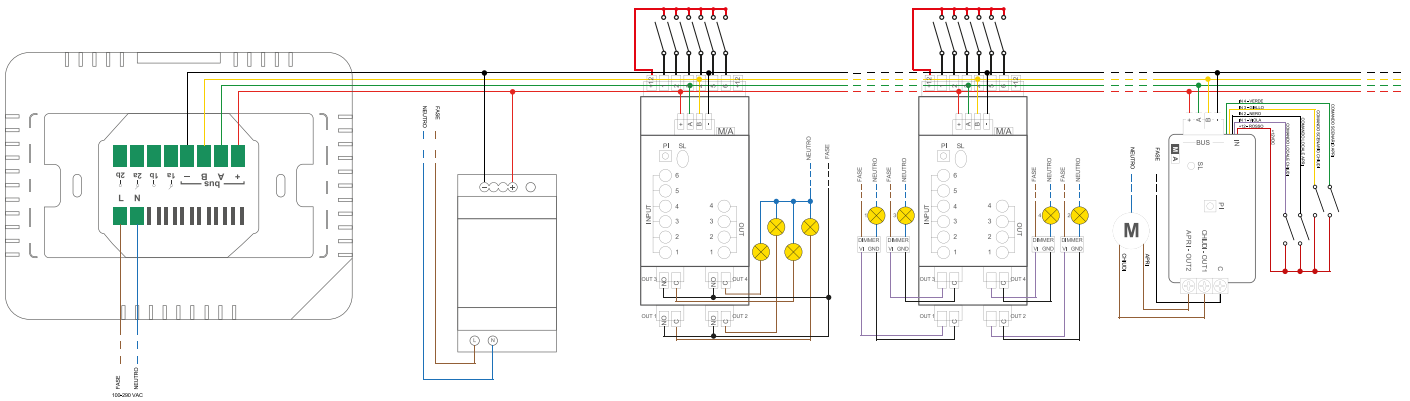
*N.B. In case of connection with slave modules via BUS it is necessary to introduce 1 power supply unit (KB-POW60-3M) as shown in the figure and in this case the local power supply of the ETH-WI-THTERM-RR/RA device becomes superfluous, but not harmful, which can be removed.*



**Fig. 8 Automation**  
Connection with **ETH-I42TR** automation expansion modules

*N.B. In case of connection with slave modules via BUS it is necessary to introduce 1 power supply unit (KB-POW60-3M) as shown in the figure and in this case the local power supply of the ETH-WI-THTERM-RR/RA device becomes superfluous, but not harmful, which can be removed.*





**Fig. 9** Mixed lighting and automation

Connection with **ETH-S64RB** and **ETH-S64A** light expansion modules and with **ETH-I42TR** automation expansion modules

*N.B. In case of connection with slave modules via BUS it is necessary to introduce 1 power supply unit (KB-POW60-3M) as shown in the figure and in this case the local power supply of the ETH-WI-THTERM-RR/RA device becomes superfluous, but not harmful, which can be removed.*

**Safety warning**  
 ⚠ The installation, commissioning and the regular maintenance of the product must be made by professionally qualified personnel, in compliance with national regulations and/or local requirements.  
 The qualified installer must take all necessary measures, including the use of personal protection equipment, in order to ensure his/her own protection and the protection of third parties.  
 The incorrect installation can cause damages to persons, animals or things for which Kblue s.r.l. cannot be held liable.

**Packaging disposal**  
 ♻ Cardboard boxes: selective collection of paper. Plastic and bubble-wrap bags: selective collection of plastic.

**Product disposal**  
 🗑 At the end of its lifespan, the product must be collected separately from other waste. However, the user should hand over the device, at the end of its lifespan, to proper selective electronic and electric waste collection centres or s/he should hand it over to the reseller upon the purchase of a new equivalent device, at a one to one ratio.  
 The abusive disposal of the product by the user entails the application of sanctions pursuant to the Legislative decree 152/2006.

**Other information**  
 For further information, please refer to the website [www.kblue.it](http://www.kblue.it) or contact the technical service: +39 0445 315055 int. 2 | [assistenza@kblue.it](mailto:assistenza@kblue.it)  
 This communication has an indicative value. Kblue s.r.l. reserves the right to bring changes at any moment, without notice, changes for technical or commercial reasons, to the items from this communication. The information from this technical communication does not exempt the user from strictly following the existing good practice regulations and standards.  
 Kblue s.r.l. via Prà Bordon, 12 - 36010 Zanè (VI) Italy.



# Contacts

---

Kblue srl  
via Prà Bordoni, 12  
36010 Zanè (VI) - ITALY

+39 0445 315055  
assistenza@kblue.it



[www.kblue.it](http://www.kblue.it)

---



**SCAN THE QR CODE  
TO ACCESS ALL  
KLEVER DOCUMENTATION**